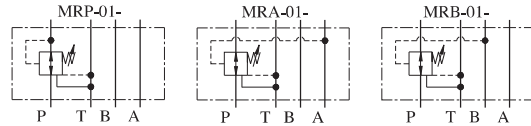


新產品 - 疊加式減壓閥 Pressure Reducing Modular Valves



選購指南 HOW TO ORDER

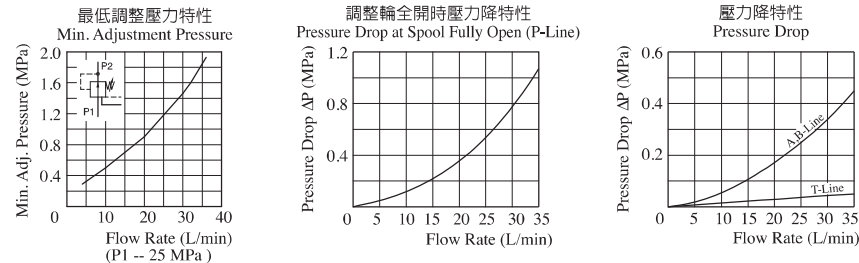
MRP	01	A	30
系列編號 SERIES NUMBER	口徑 VALVE SIZE	壓力調整範圍 PRESSURE ADJ. RANGE MPa (kgf/cm ²)	設計號 DESIGN NUMBER
Pressure Reducing Modular Valves			
MRP : For P - Line	- 01 : 1/4"	- A : 0.15 (1.5) - 3.5 (35)	- 30
MRA : For A - Line		- B : 0.7 (7) - 7 (70)	
MRB : For B - Line		- C : 3.5 (35) - 14 (140)	
		- H : 7 (70) - 21 (210)	

規格說明 SPECIFICATIONS

型式 Model Series	最高使用壓力 Max. Operated Pressure MPa (kgf/cm ²)	最大流量 Max. Flow (L/min)	重量 Weight (kg)
MRP-01-※-30	31.5 (315)	40	1.2
MRA-01-※-30			
MRB-01-※-30			

性能曲線 PERFORMANCE CURVES

Hydraulic Fluid : Viscosity 35 cSt (35 mm²/s) , Specific Gravity 0.850

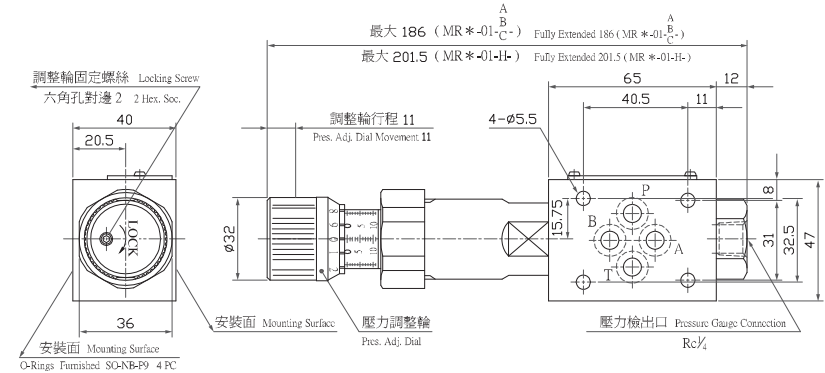


疊加式減壓閥 Pressure Reducing Modular Valves

• MRP-01-※- MRA-01-※-

安裝尺寸符合ISO4401-AB-03-4-A
Mounting Surface:ISO4401-AB-03-4-A

DIMENSIONS IN MILLIMETRES



• MRB-01-※-

